

## Digital Cabinets 400lt Line Refrigerator, 1 Glass Door (White) 60Hz

ITEM # \_\_\_\_\_

MODEL # \_\_\_\_\_

NAME # \_\_\_\_\_

SIS # \_\_\_\_\_

AIA # \_\_\_\_\_


**730106 (R04PVGW6)**

 1-glass door Refrigerator  
 400lt, 0+10°C, prepainted  
 white, ventilated

### Short Form Specification

#### Item No.

Exterior in white painted steel. Interior in white High Impact Polystyrene with rounded corners and 45mm thick insulation. Right hinged glass door with lock, reversible on-site. Built-in refrigeration unit; ventilated operating mode; automatic defrost and evaporation of defrost water; digital control and temperature display; internal lighting. For ambient temperatures up to 32 °C. HCFC, CFC and HFC free insulation and R134a refrigerant gas. Supplied with n. 4 grids 600x400mm, PE coated.

### Main Features

- Digital control panel allowing the easy and precise setting and control of the internal temperature.
- Shelf runners are thermoformed and are incorporated in the internal structure to be easily cleanable.
- Whole interior cell with rounded corners is white thermoformed polystyrene, which is impact resistant.
- Very quiet operation.
- No joints whatsoever to eliminate dirt traps.
- Simple refrigeration system easily accessible from the rear of the units.
- Fan assisted cooling for even temperature distribution.
- Suitable for use in ambient temperatures of up to 32 °C.
- Model equipped with roll-bond plate that has a plate installed in the internal backside of the unit equipped with a special thermostat to avoid ice formation.
- Model requires only 1 phase 220V-60Hz supply and can be plugged straight into an existing power socket.
- Connectivity ready for real time access to connected appliances from remote and data monitoring (requires optional accessory).

### Construction

- Developed and produced in ISO 9001 and ISO 14001 certified factory.
- All models in range are finished in top quality materials to aid durability.

### Sustainability



- CFC and HCFC free (ecological refrigerant type: R134a, - gas in foam: cyclopentane).

### Included Accessories

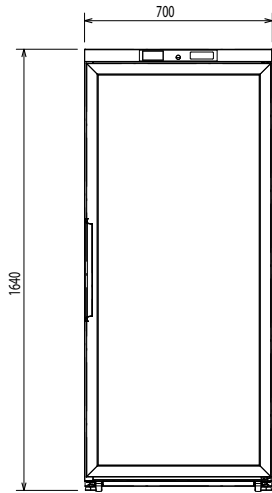
- 2 of Pair of grids for 400lt refrigerator, white PNC 880292

### Optional Accessories

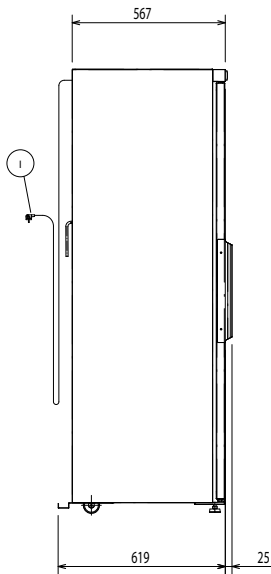
- Pair of grids for 400lt refrigerator, white PNC 880292
- Ethernet connectivity kit IJF for Refrigeration PNC 880685
- Pvc container with false bottom for 400lt PNC 881072

APPROVAL: \_\_\_\_\_

Front

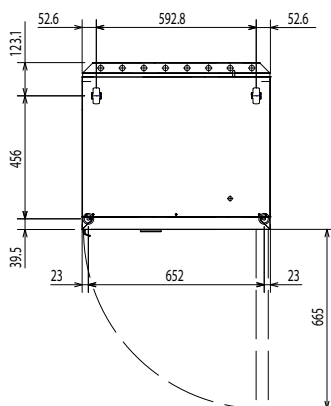


Side



EI = Electrical inlet (power)

Top



### Electric

Supply voltage:	730106 (R04PVGW6)	220-230 V/1 ph/60 Hz
Electrical power max.:		0.18 kW

### Key Information:

Gross capacity:	400 lt
Door hinges:	Right Side
External dimensions, Width:	700 mm
External dimensions, Depth with Doors Open:	1310 mm
External dimensions, Height:	1645 mm
Number and type of grids (included):	4 - 600x400
Type of external material:	Prepainted Steel
External door material:	Glass

### Refrigeration Data

Control type:	Digital
Compressor power:	1/6 hp
Refrigeration power at evaporation temperature:	-10 °C
Min/Max internal humidity:	70%/85%
Operating temperature min.:	0 °C
Operating temperature max.:	10 °C
Operating mode:	Ventilated
Cooling unit:	Built-In
Defrost type:	

### Sustainability

Noise level:	55 dBA
Refrigerant type:	R134a
Refrigeration power:	352 W
Refrigerant weight:	210 g